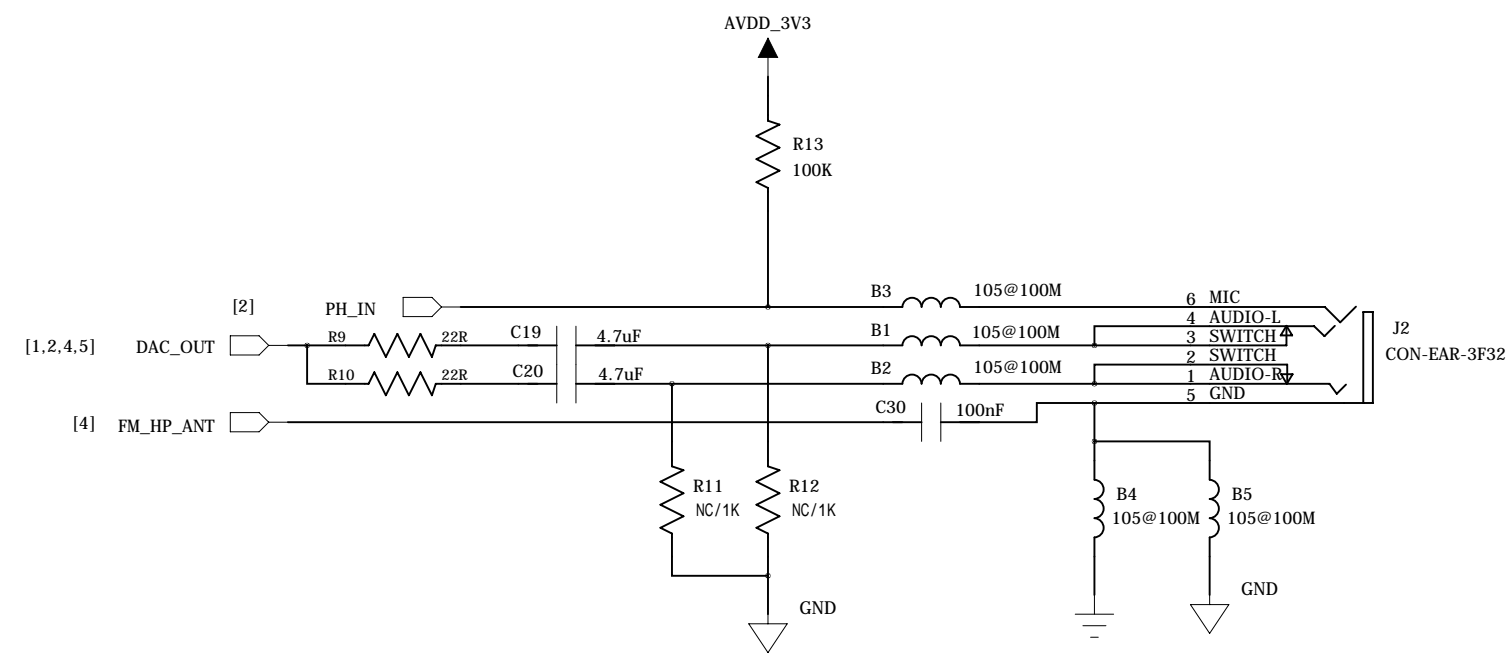
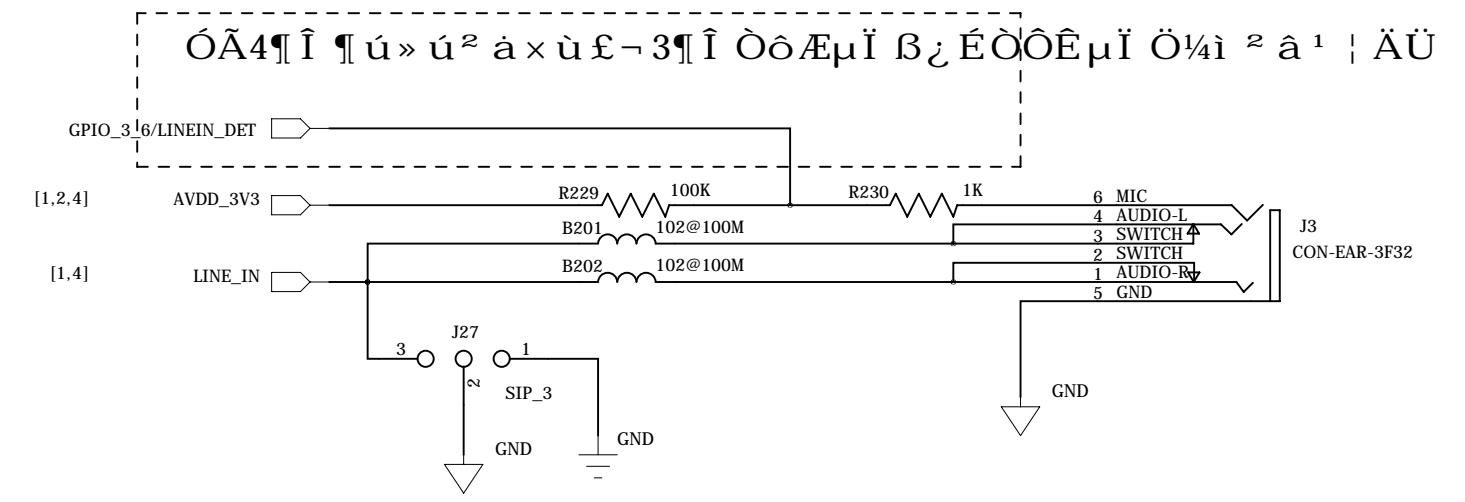


| | | | | |
|----------|---|----------------|-----------|---------------------------------------|
| COMPANY: | RDA Microelectronics (Shanghai) Co., Ltd. | | | |
| TITLE: | 1_RDA5856 | Modified Date: | 2016/5/27 | |
| DRAWN: | DATA | 2015/12/07 | VERSION: | RDA5856_MSOP_24_EVB_V1.4_20160527.sch |
| CHECKED: | DATA | | PAGE: | 1 OF 5 |

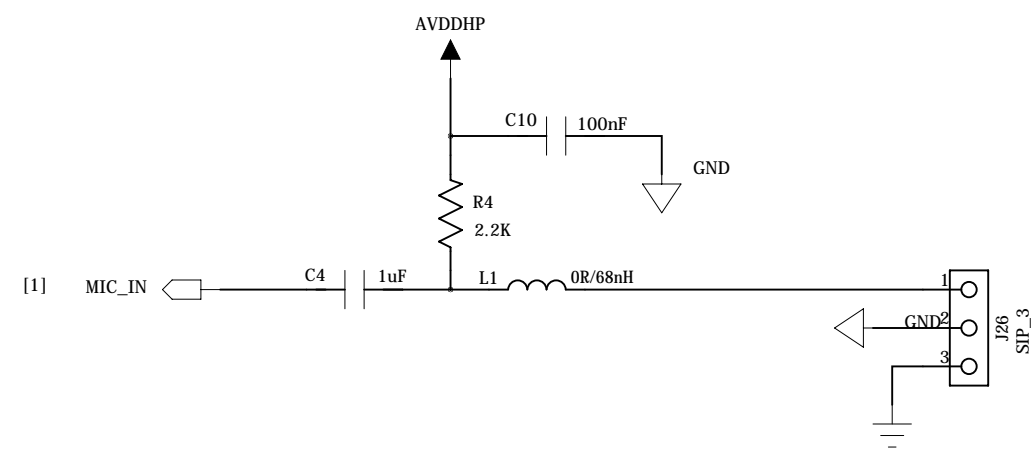
Earphone



Line_in

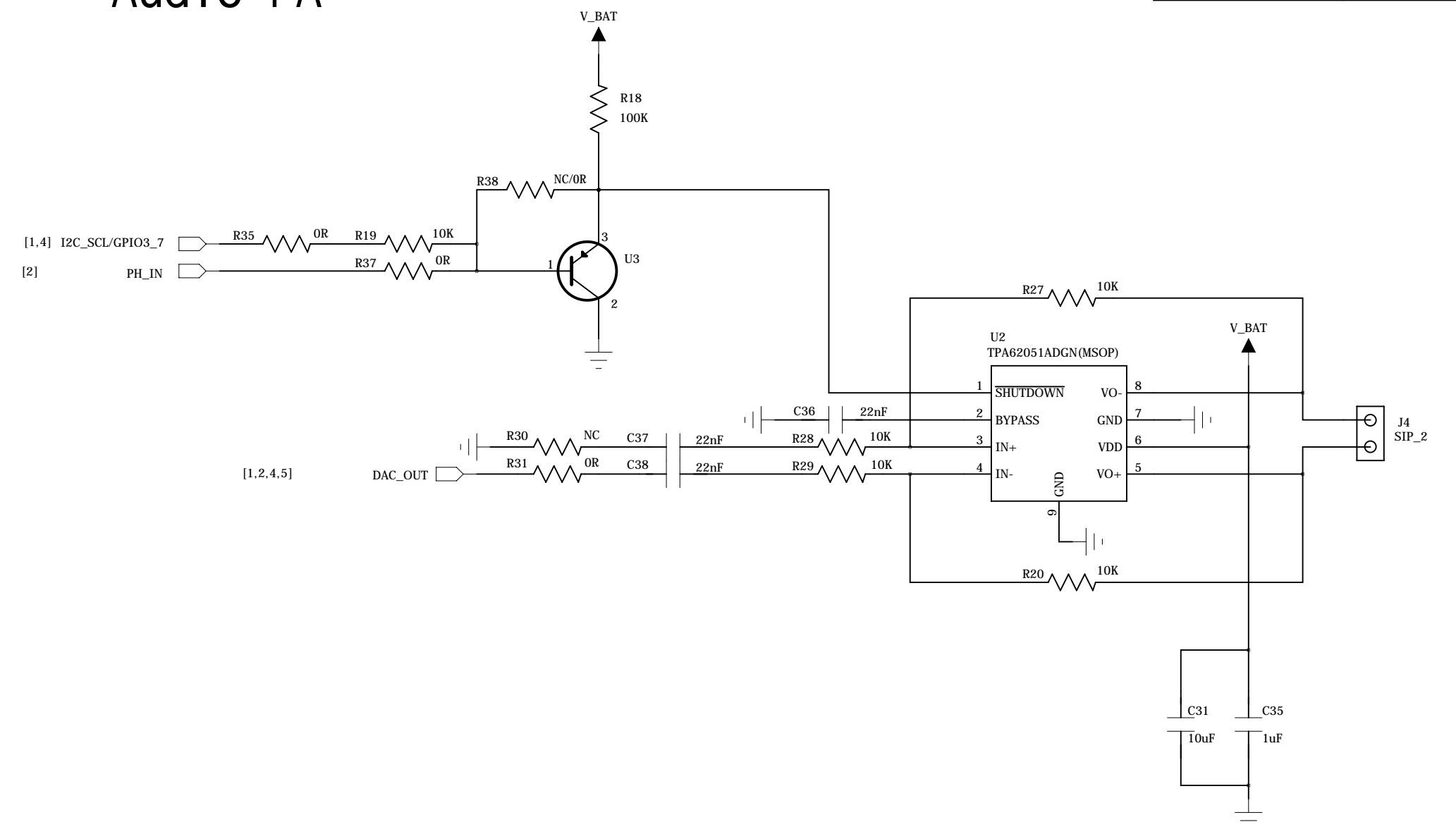


MIC

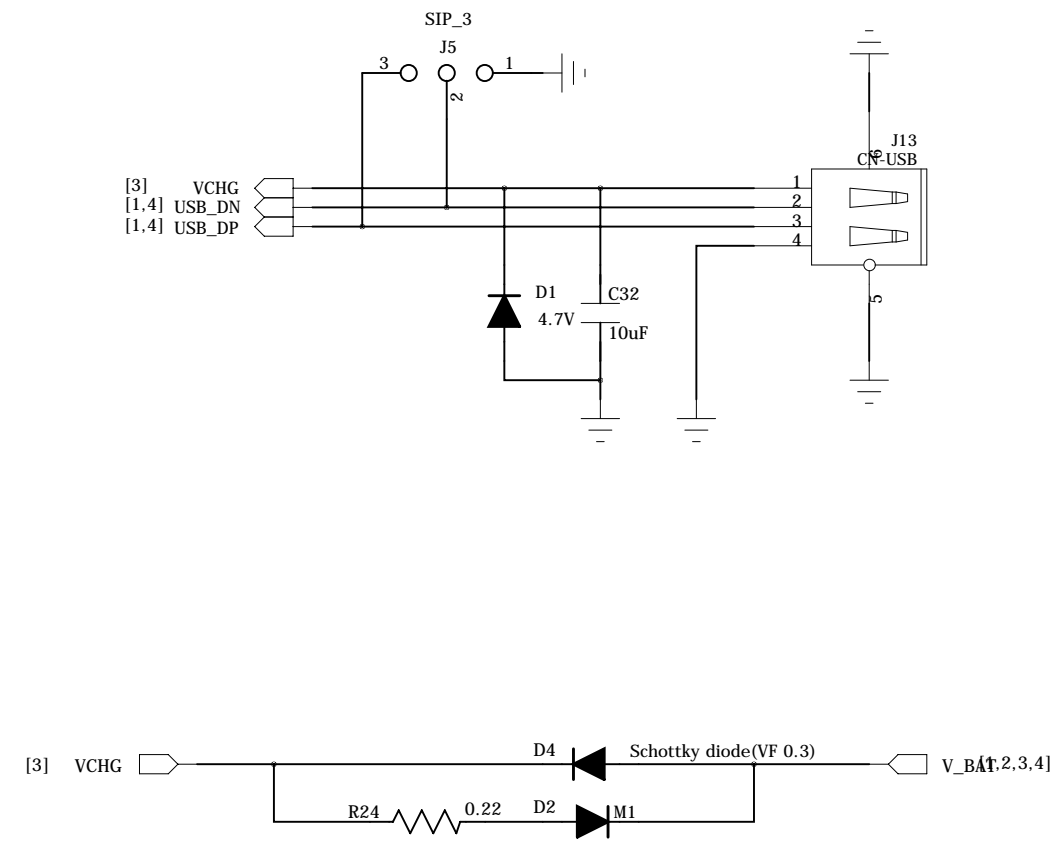


Audio PA

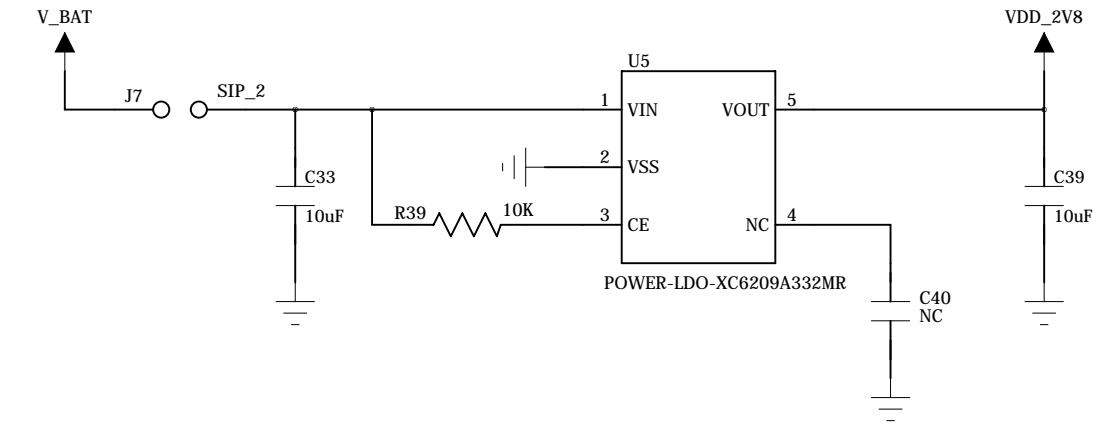
| PH_IN | AUDIO_EN |
|-------|----------|
| 1 | 1 |
| 0 | 0 |



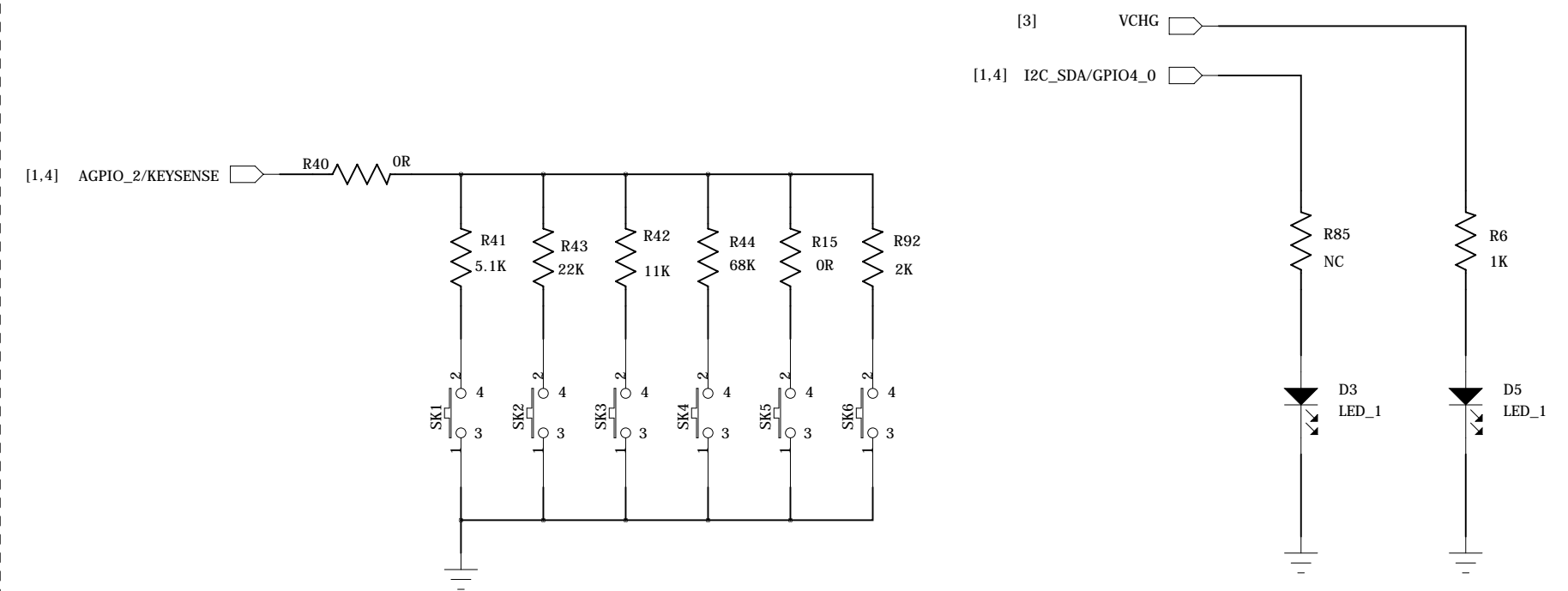
USB



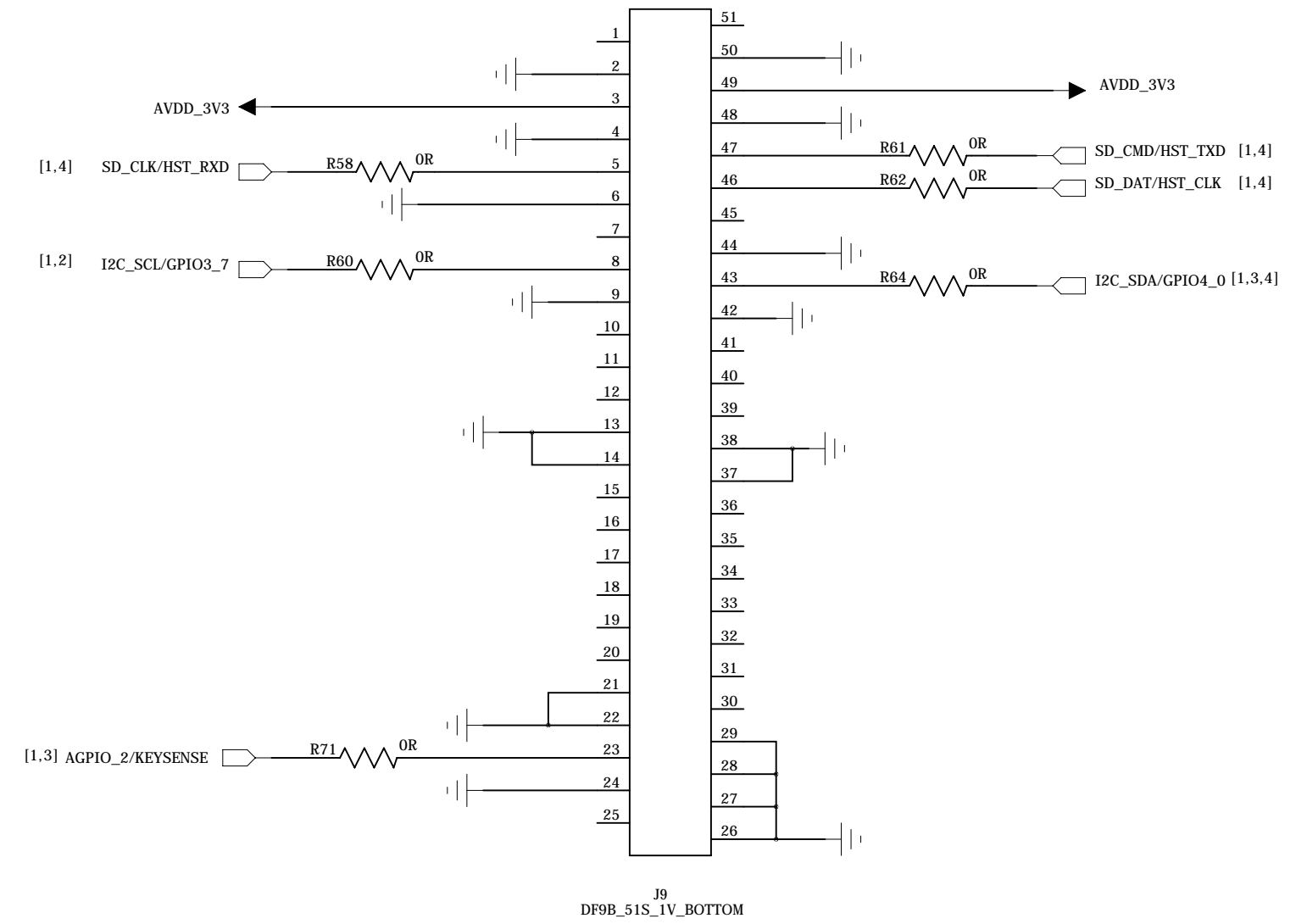
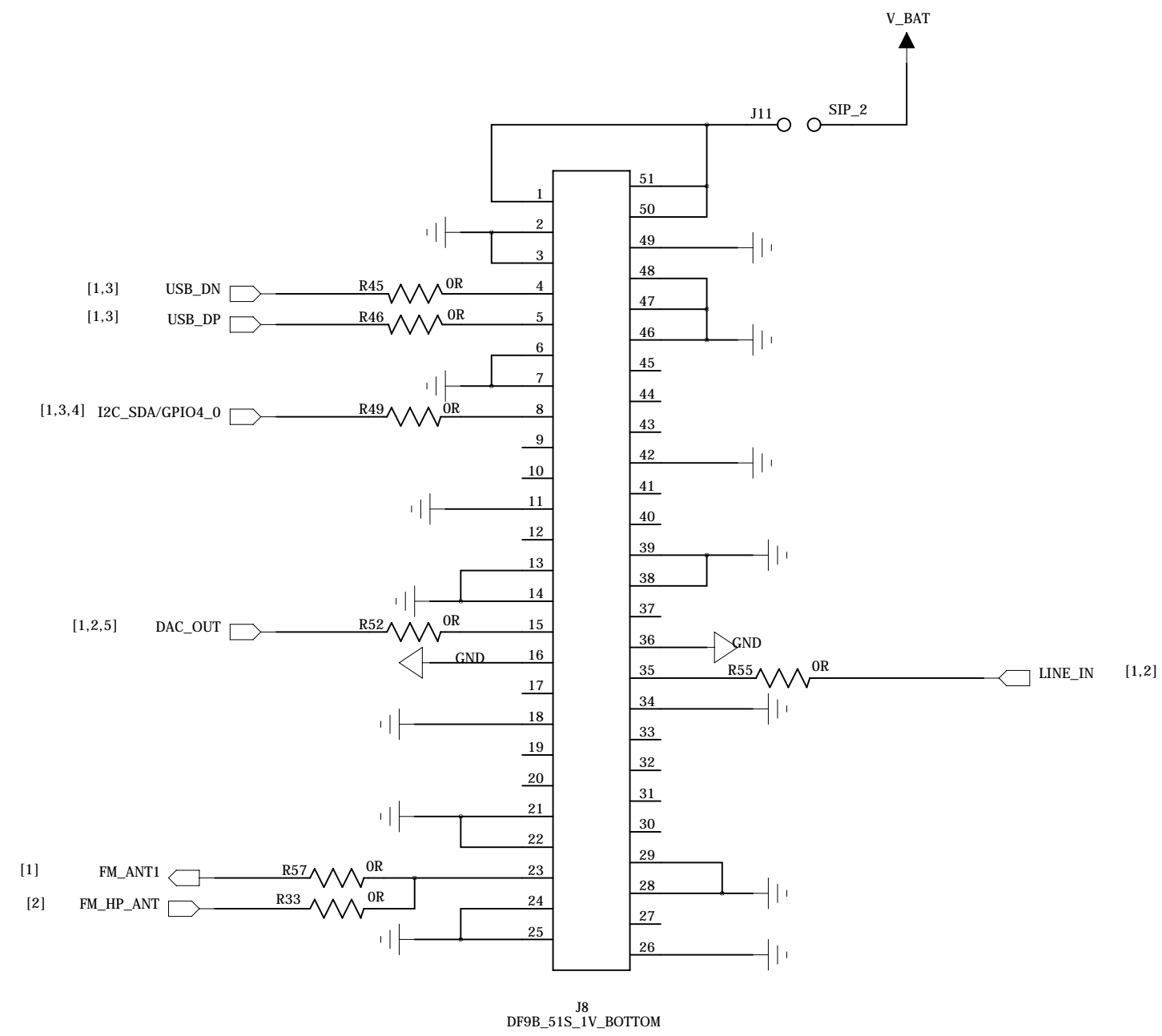
LDO



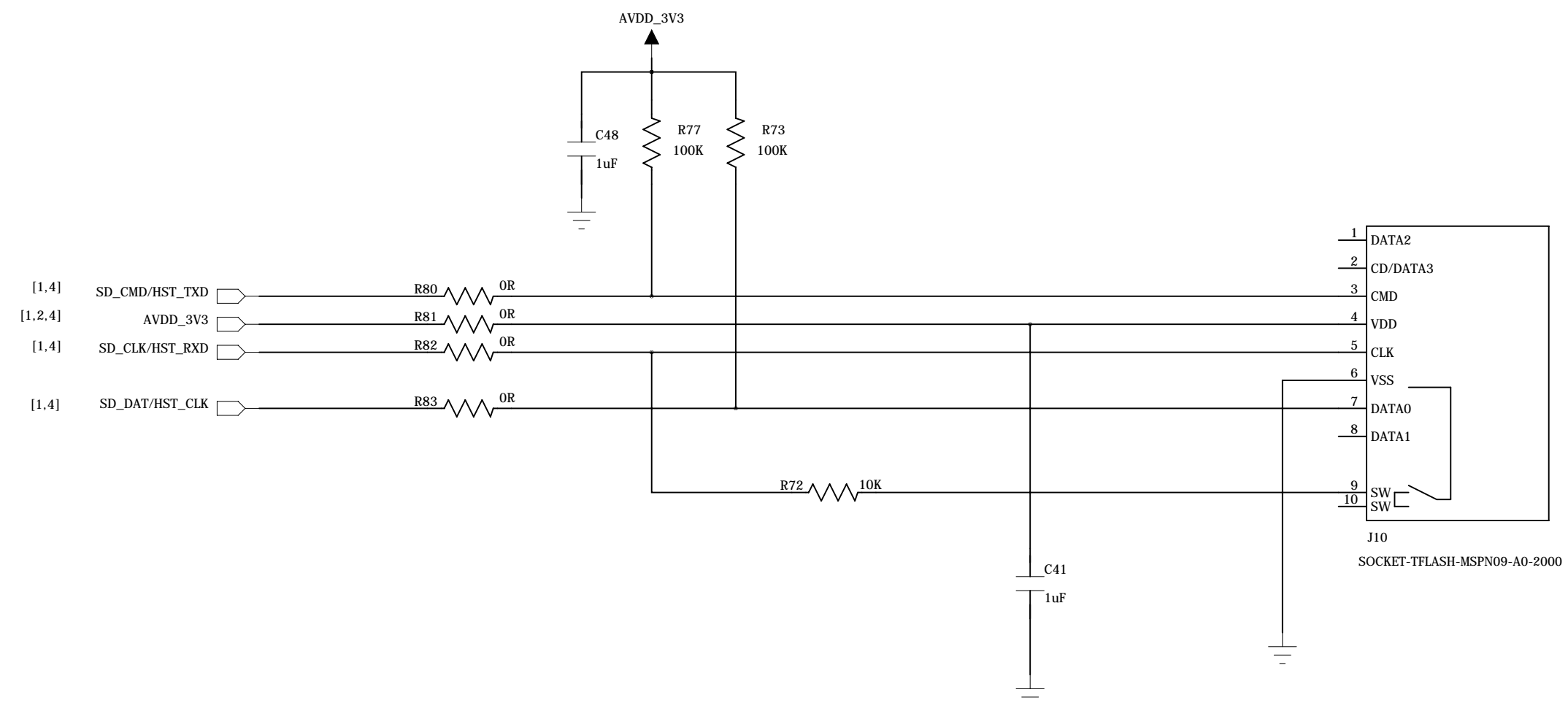
KEY_PAD



CONNECT

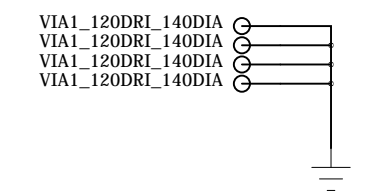
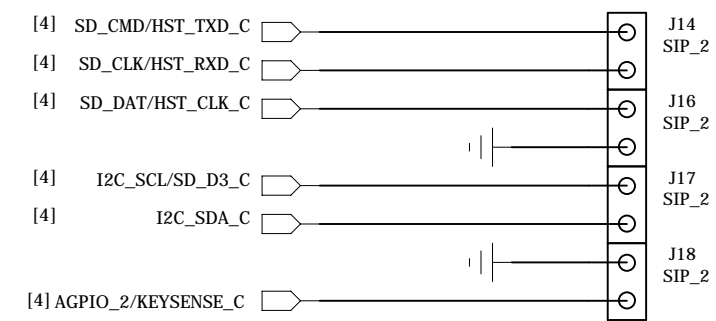
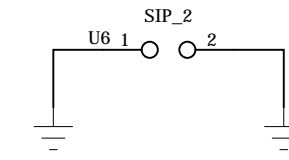
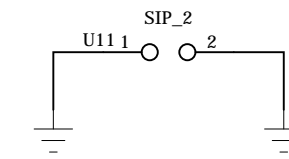
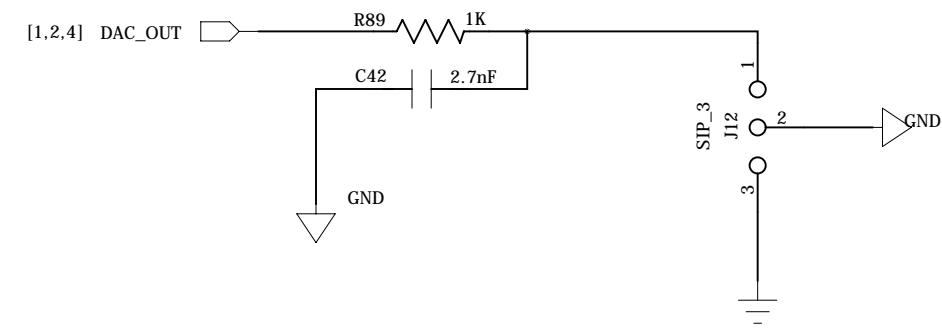


TF_CARD



| | | | | |
|----------|---|----------------|-----------|---------------------------------------|
| COMPANY: | RDA Microelectronics (Shanghai) Co., Ltd. | | | |
| TITLE: | 4_CONNECT_TF | Modified Date: | 2016/5/27 | |
| DRAWN: | DATA | 2016/5/27 | VERSION: | RDA5856_MSOP_24_EVB_V1.4_20160527.sch |
| CHECKED: | DATA | | PAGE: | 4 OF 5 |

Audio Test



| | | | | | |
|----------|---|----------------|-----------|----------|---------------------------------------|
| COMPANY: | RDA Microelectronics (Shanghai) Co., Ltd. | | | | |
| TITLE: | 5_TEST_P | Modified Date: | 2016/5/27 | | |
| DRAWN: | | DATA | 2016/5/27 | VERSION: | RDA5856_MSOP_24_EVB_V1.4_20160527.sch |
| CHECKED: | | DATA | | PAGE: | 5 OF 5 |