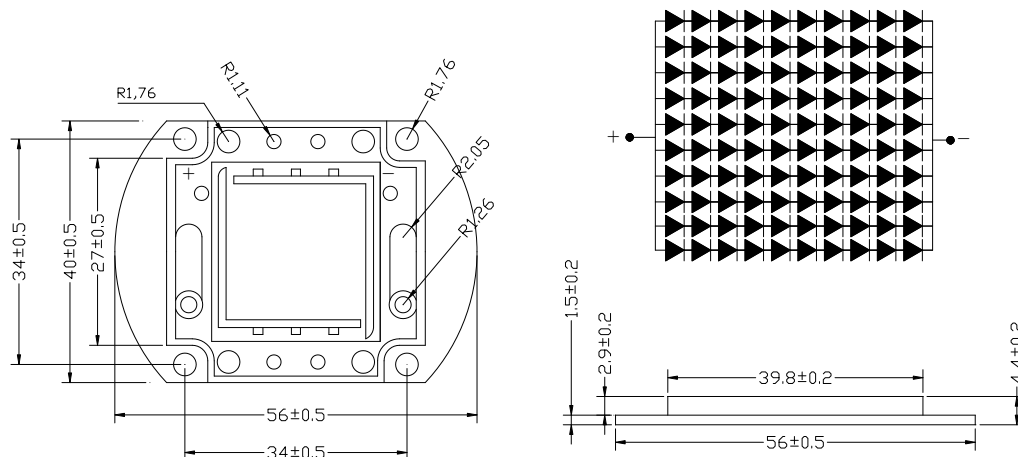


● Package Dimensions

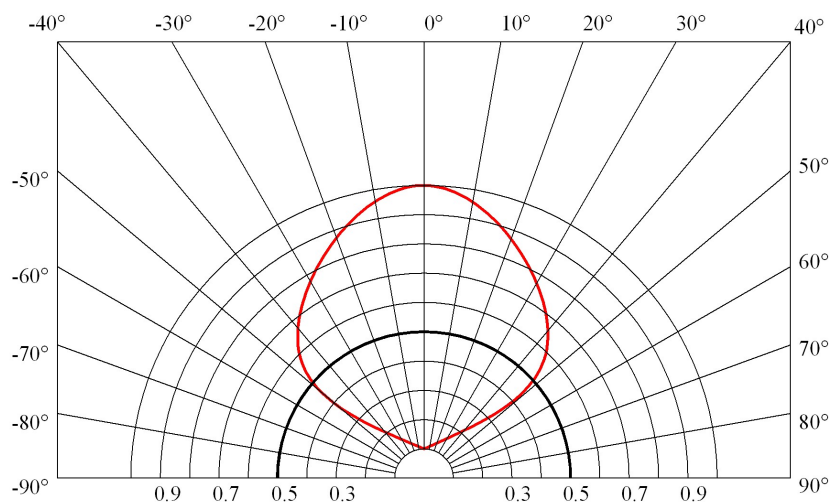


平面尺寸图 Dimension (mm)

Notes

1. All dimensions are in millimeters (inches).
2. Tolerance is $\pm 0.25\text{mm}(0.010\text{'})$ unless otherwise noted.
3. Protruded resin under flange is $1.0\text{mm}(0.04\text{'})$ max.
4. Lead spacing is measured where the leads emerge from the package.
5. Specifications are subject to change without notice.

● Spatial Distribution



● **Electrical / Optical Characteristics at TA=25°C**

Parameter	Symbol	Min.	Typ.	Max.	Unit	Test Condition
Luminous Intensity	φ	8000	8200	8500	Lm	IF =3000mA
Viewing Angle	2θ1/2	95	100	105	deg	IF =3000mA
Dominant Wavelength	TC	6000	6500	7000	nm	IF =3000mA
Forward Voltage	vF	32	34	36	v	IF =3000mA
Reverse Current	IR	0		10	uA	IF =3000mA

● **Absolute Maximum Ratings at TA=25°C**

Parameter	Maximum Rating
Power Dissipation	100W
Peak Forward Current(1/10 Duty Cycle, 0.1ms Pulse Width)	7000mA
Continuous Forward Current	3000mA
Derating Linear From 30°C	0.07mA/°C
Reverse Voltage	5V
Operating Temperature Range	-20°C to + 80°C
Storage Temperature Range	-30°C to + 100°C
Lead Soldering Temperature [1.6mm(.063") From Body]	260°C for 5 Seconds

