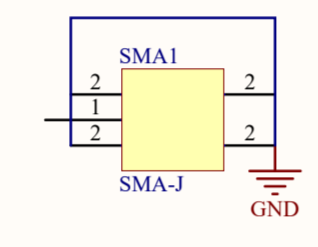
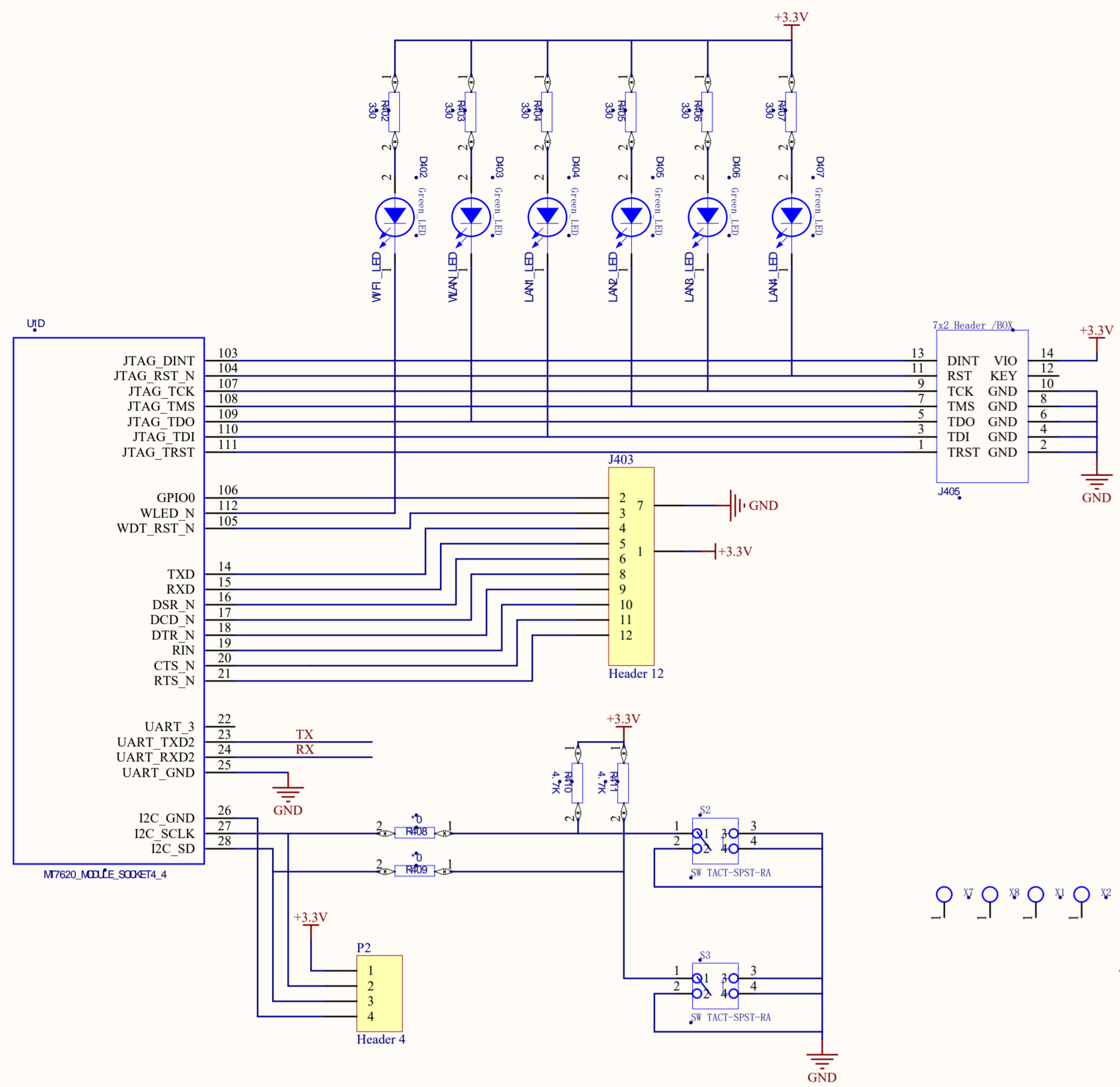
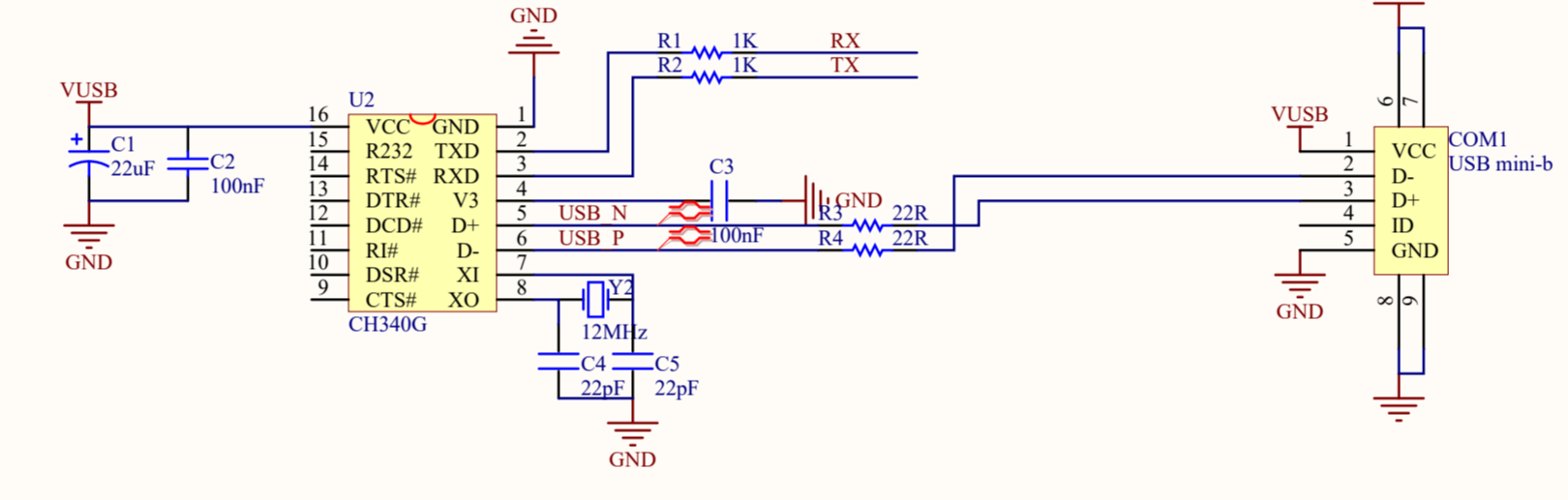


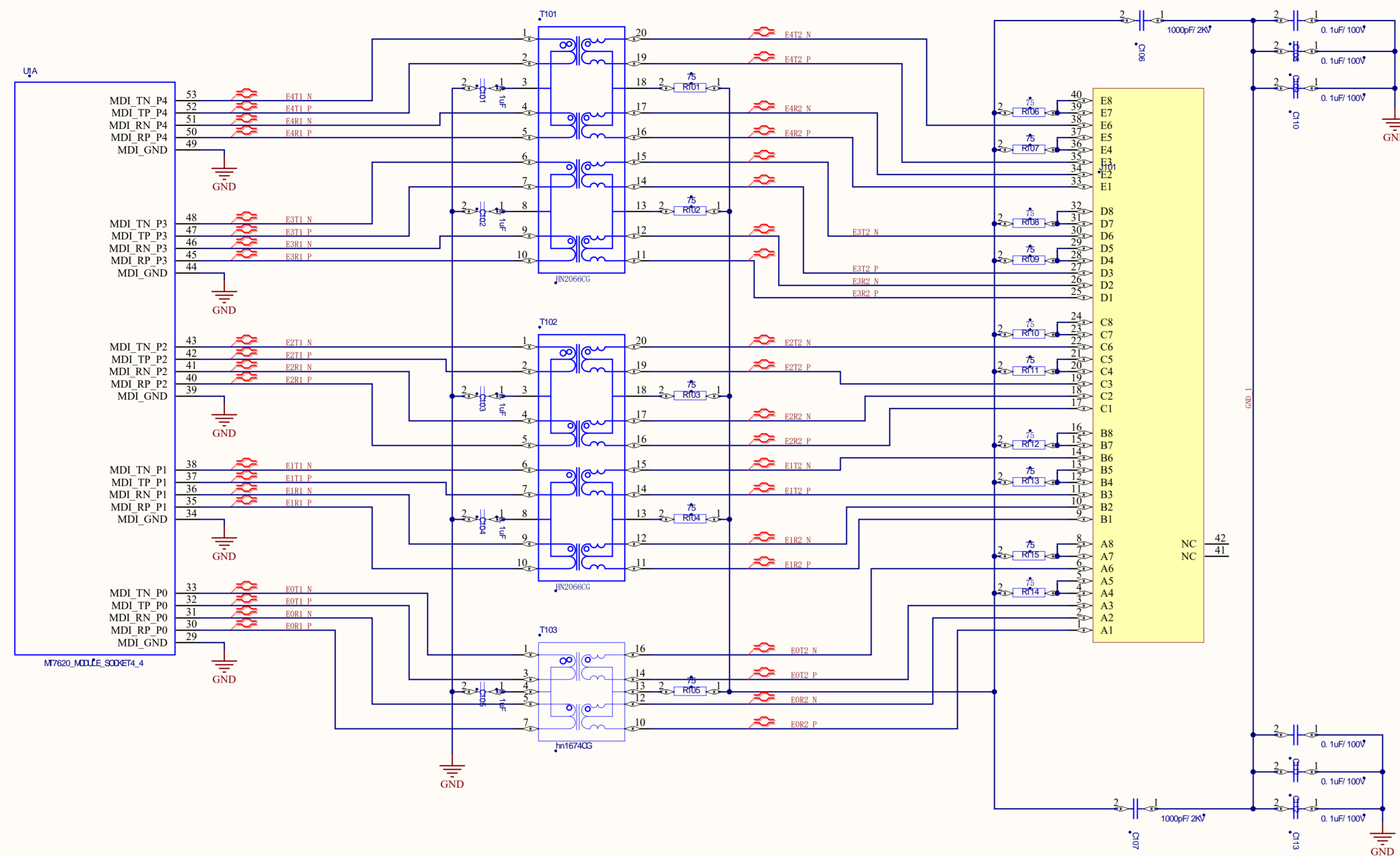
M7620A_MODULE		Vp T	M7620A
h Title			
CONNECT1. SchDoc			
Size		Number	Revision
rH g.	V 1.0	A	eá g.
Date:	2016/7/15	#NAME?	Vp S:
File:	...CONNECT1.SchDoc	Sheet of	of
Drawn By:		6	



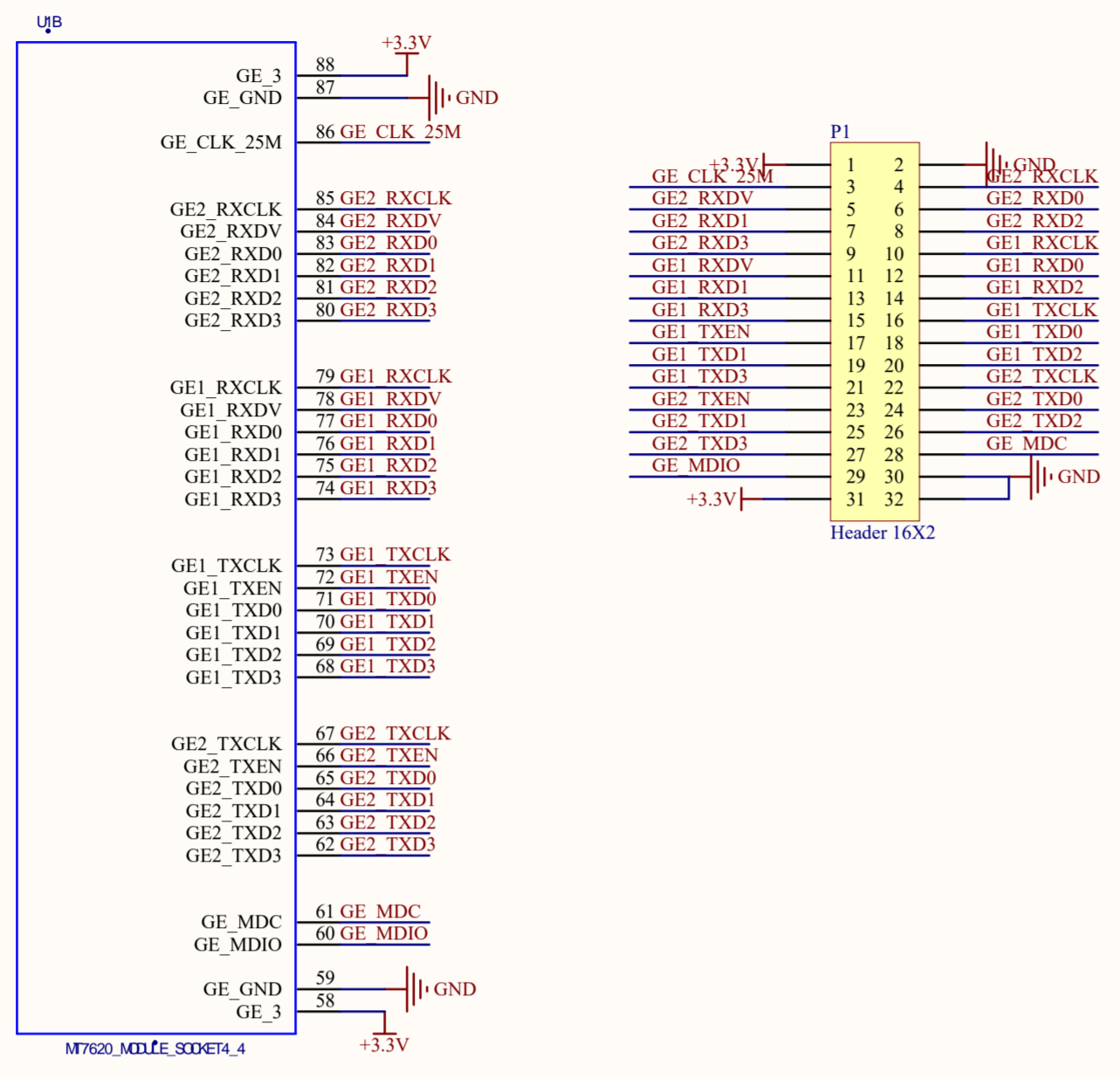
USB TTL



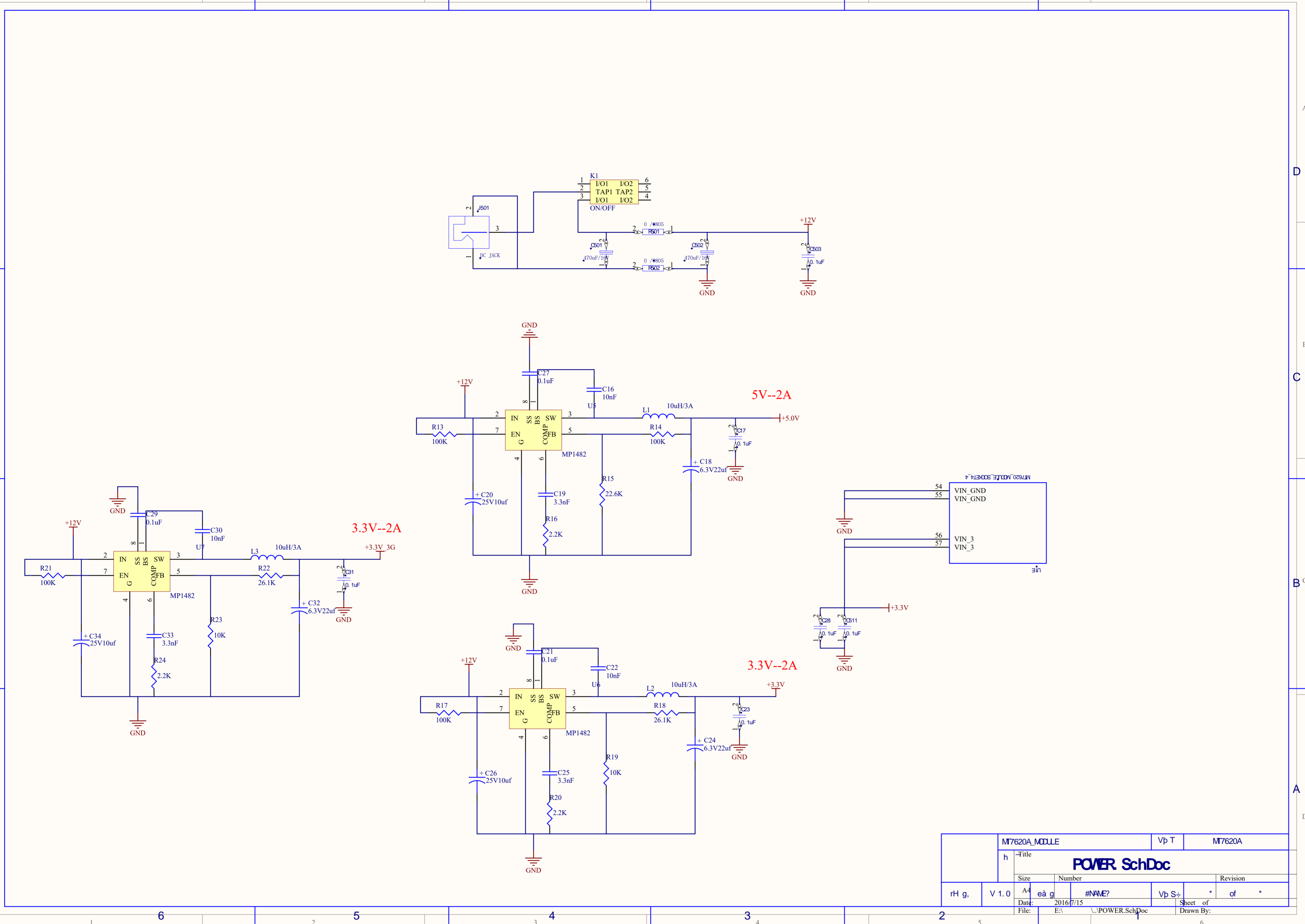
M7620A_MODULE		Vp T	M7620A
h Title			
<b>CONNECT2. SchDoc</b>			
Size		Number	Revision
rH g.	V 1.0	A? eà g. #NME?	Vp S: * of *
Date:	2016/7/15	File:	Sheet of
File:		Ex:	Drawn By:



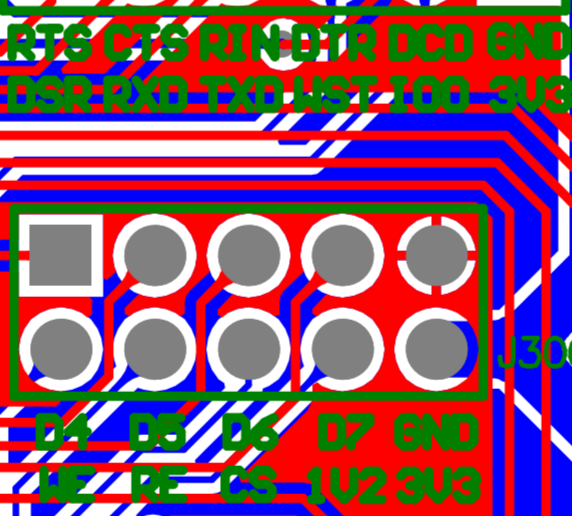
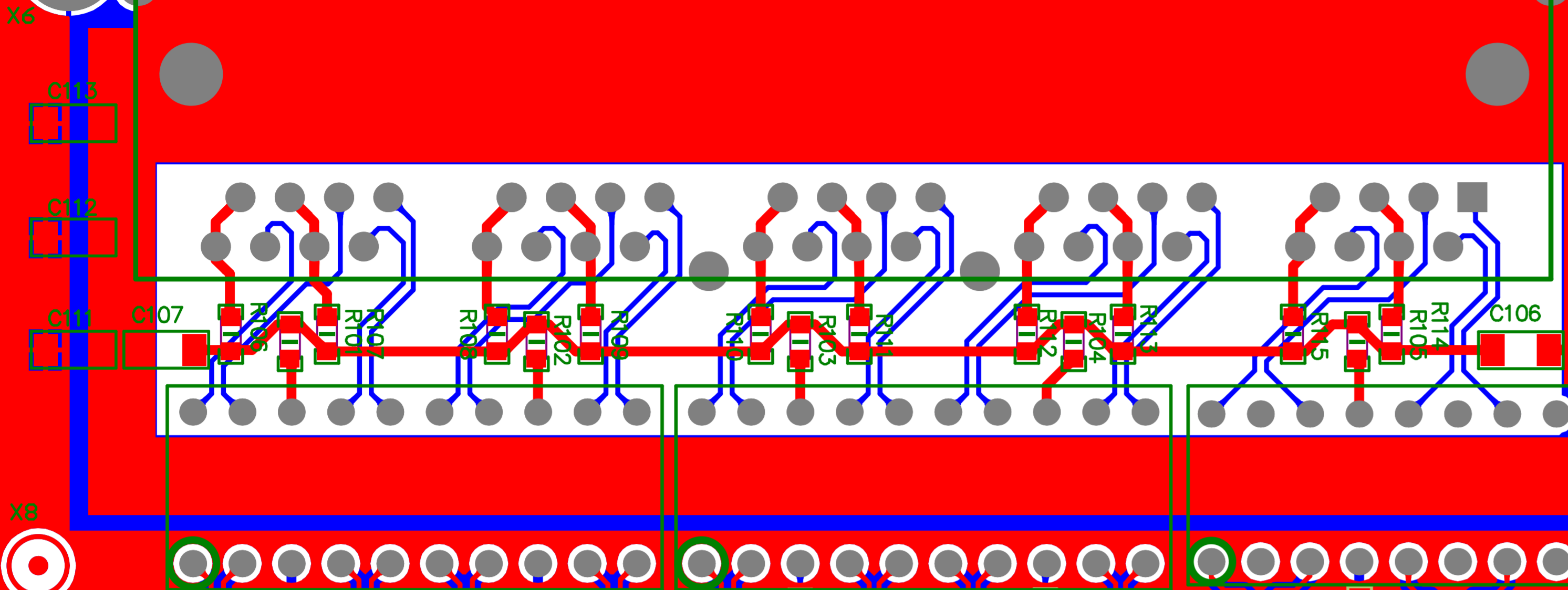
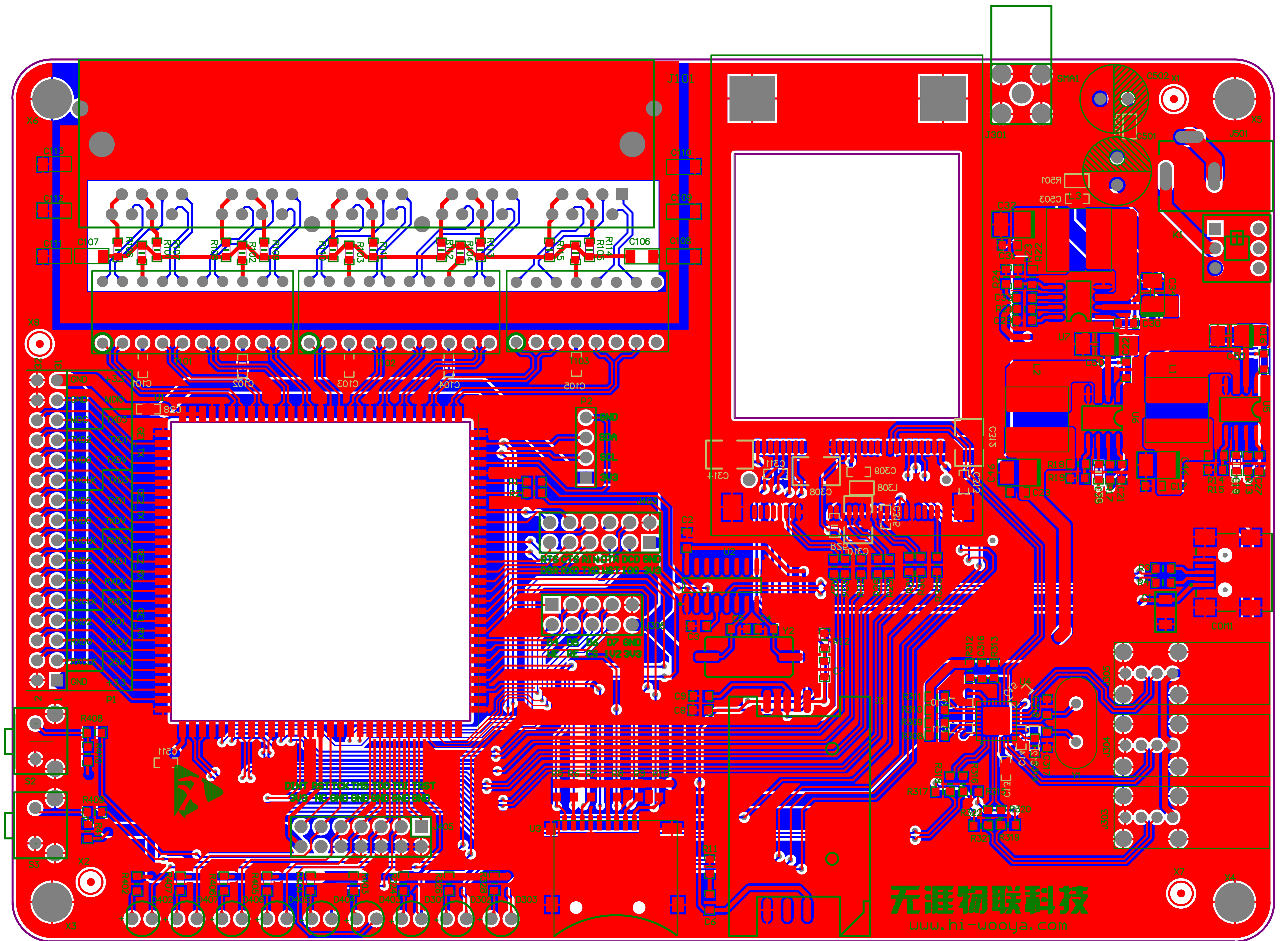
M7620A_MODULE		Vp T	M7620A
Title			
ETHERNET1. SchDoc			
Size	Number	Revision	
V 1.0			
Author	Drawn	Sheet	of
2016/7/15			
File	ETHERNET1_SchDoc	Drawn By	



M7620A_MODULE		Vp T	M7620A
Title: <b>ETHERNET2. SchDoc</b>			
Size	Number	Revision	
V 1.0	1	1 of 1	
Date:	2016/7/15	File:	ETHERNET2_SchDoc
Drawn By:		Sheet of:	6



M7620A_MODULE		Vp T	M7620A	
h	Title			
	POWER SchDoc			
Size	Number	Revision		
rH g.	V 1.0	A#	eà g	#NAME?
Date:	2016/7/15	Vp S:	*	of *
File:	Es	POWER.SchDoc	Sheet of	Drawn By:
			6	



DIAG. PLEASE USE THE TEST POINT FIRST  
GND, REF, GND, GND, GND, GND