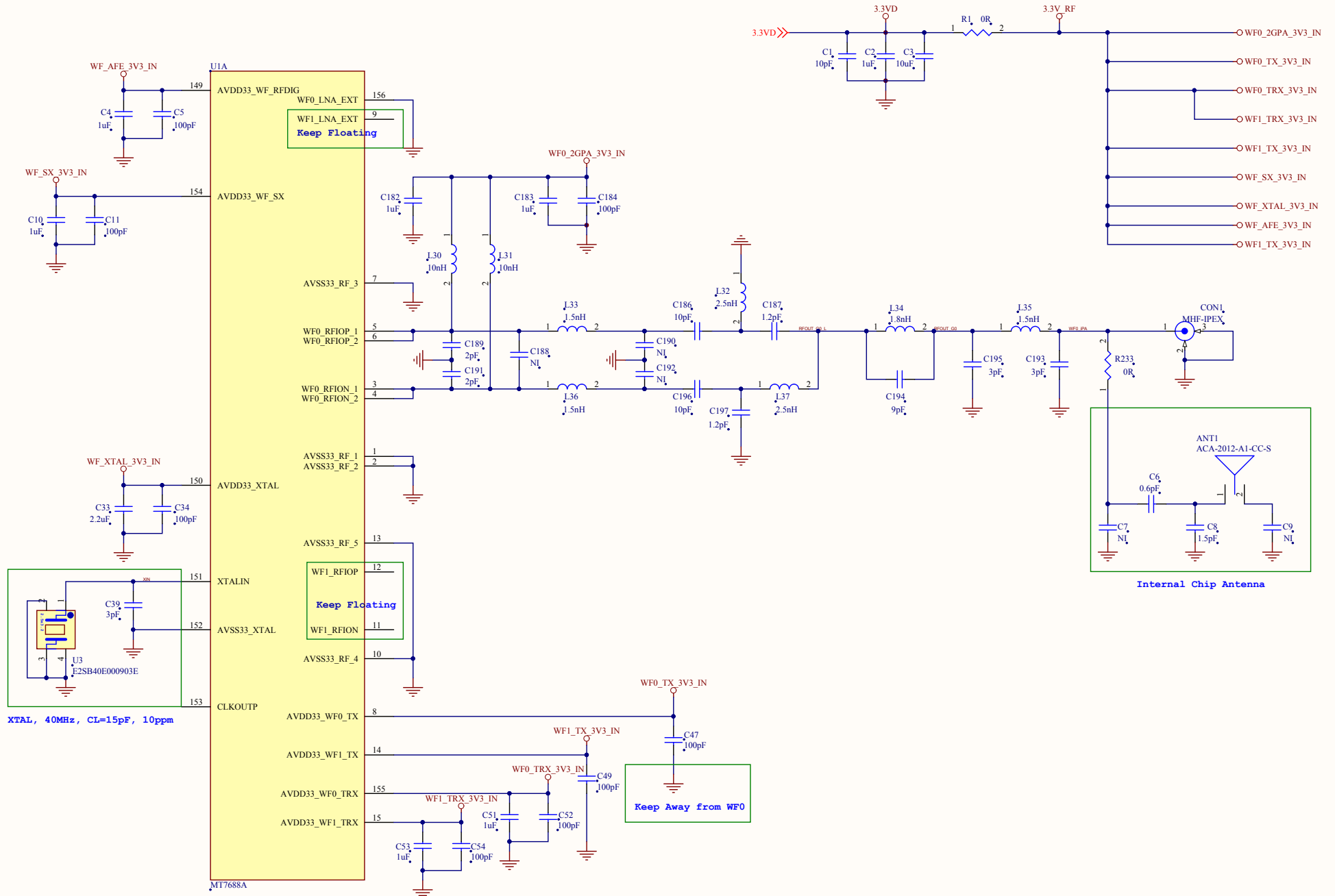
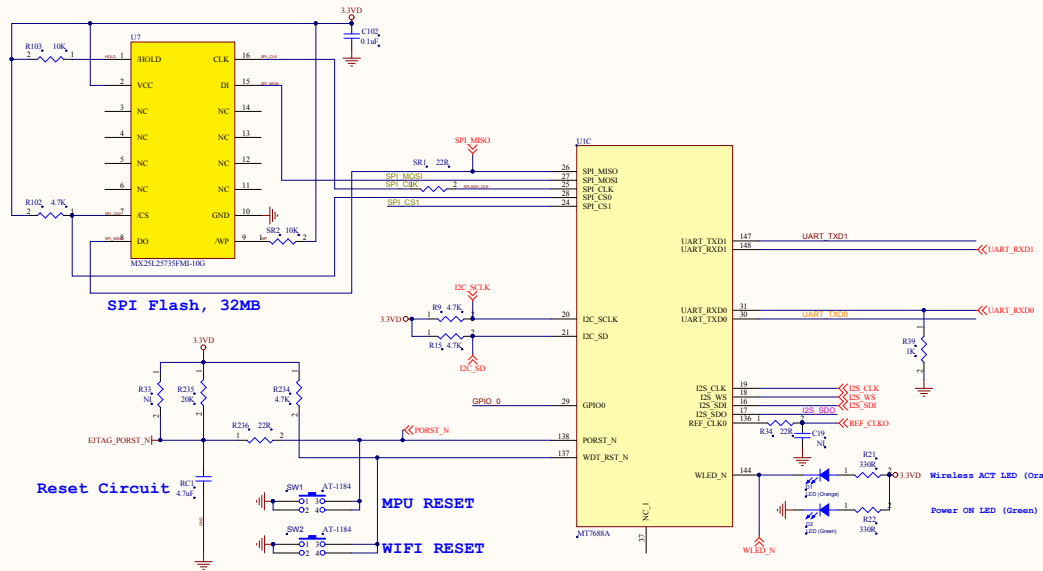


# MT7688AN RF Front End

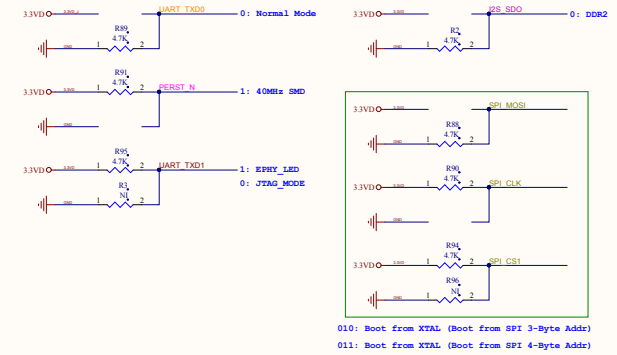




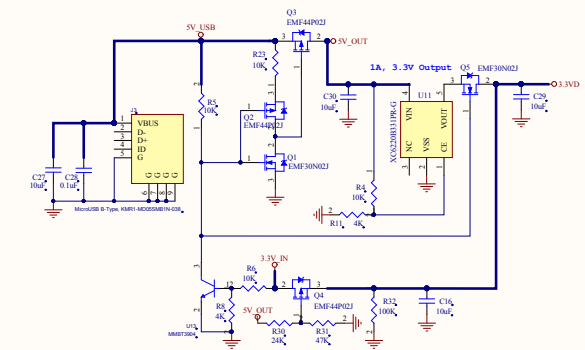
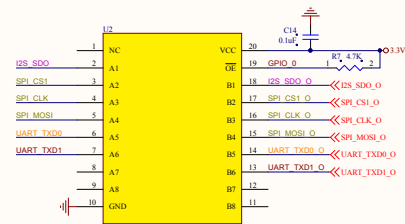
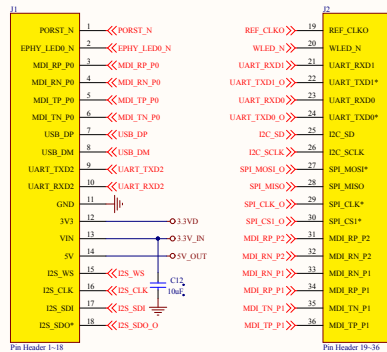
# MT7688AN Peripheral / SPI Flash / Reset



# MT7688AN Config

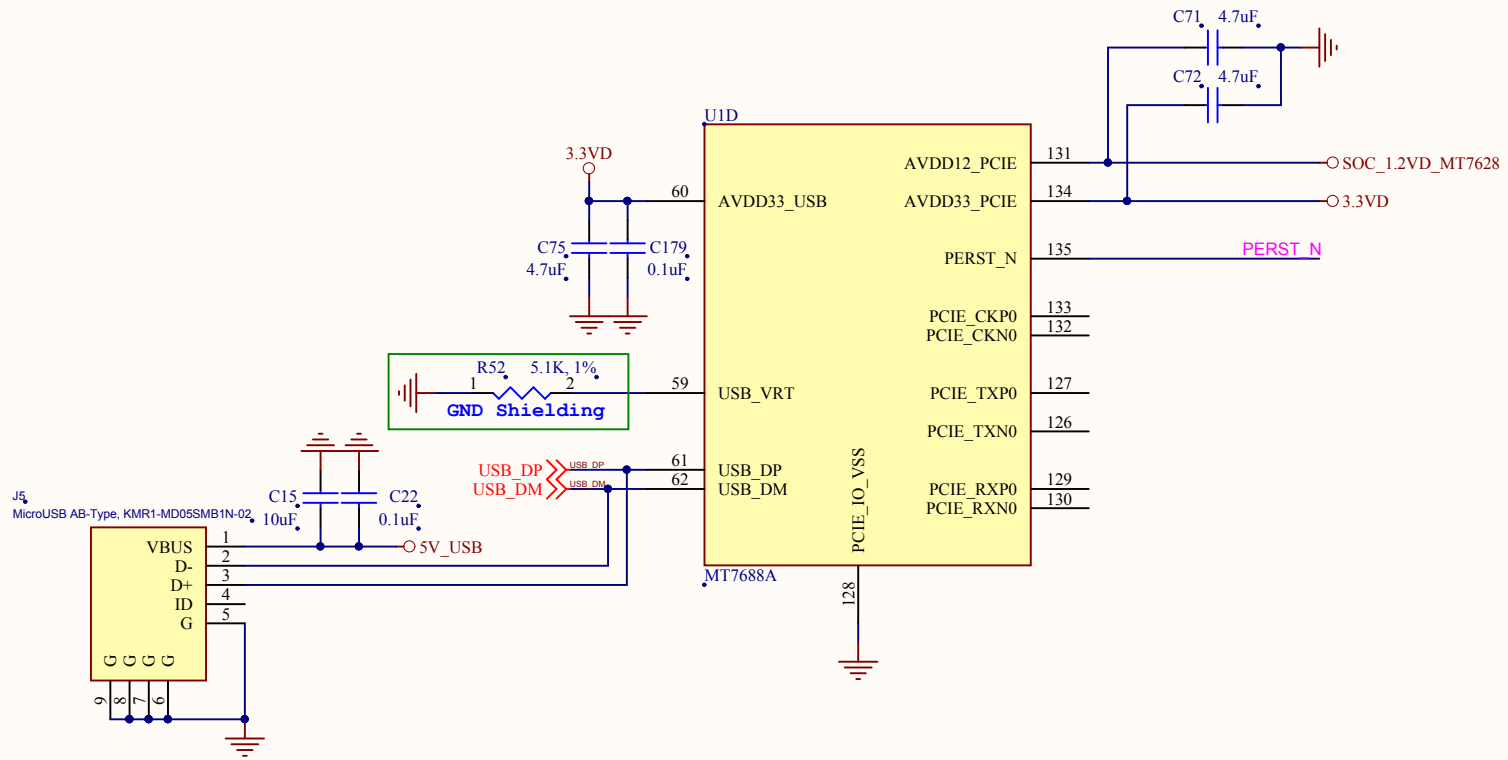


## Pin Breakout

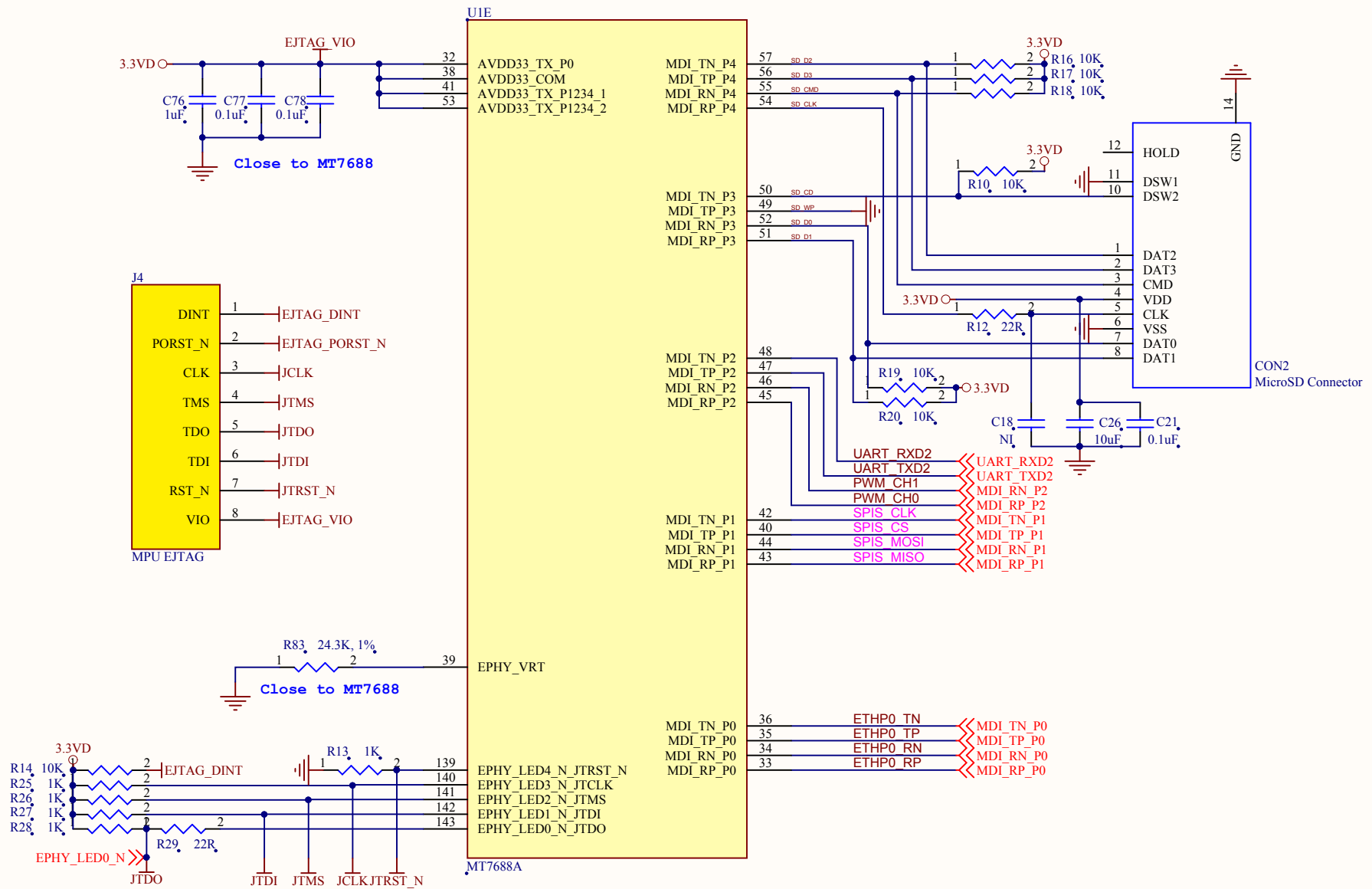


## Power / Pin Breakout

# MT7688AN USB-PCIE



# MT7688AN Ethernet / MicroSD / JTAG



# MT7688AN Power

