

1 2 3 4 5 6

D

D

C

C

B

B

A

A

Audio
Audio.Sch

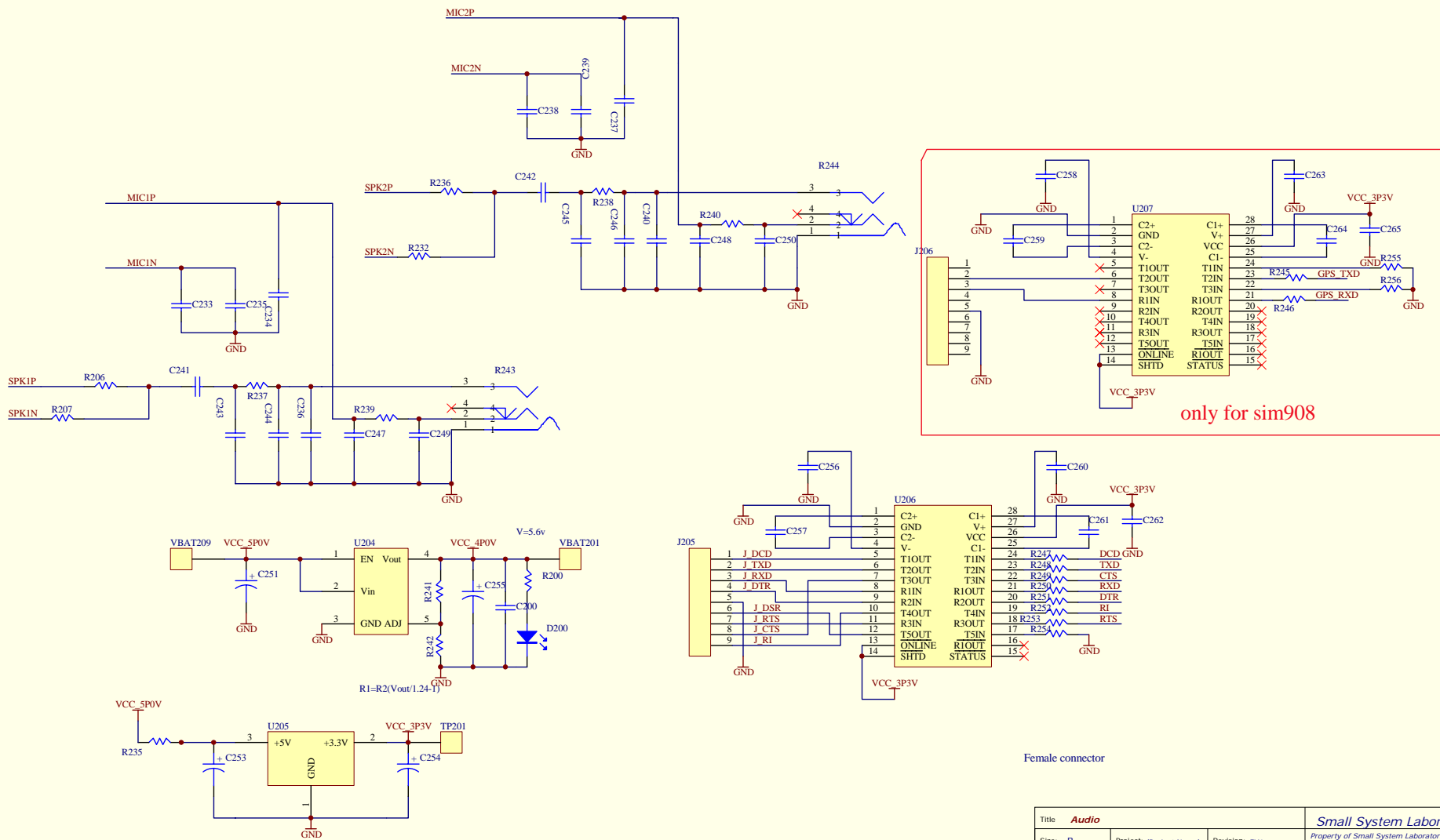


SIM908
SIM908.Sch

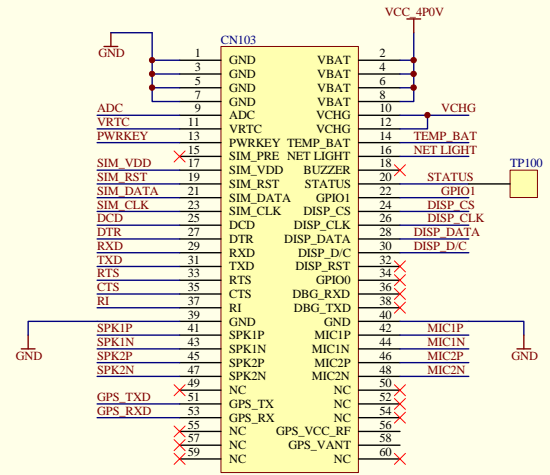
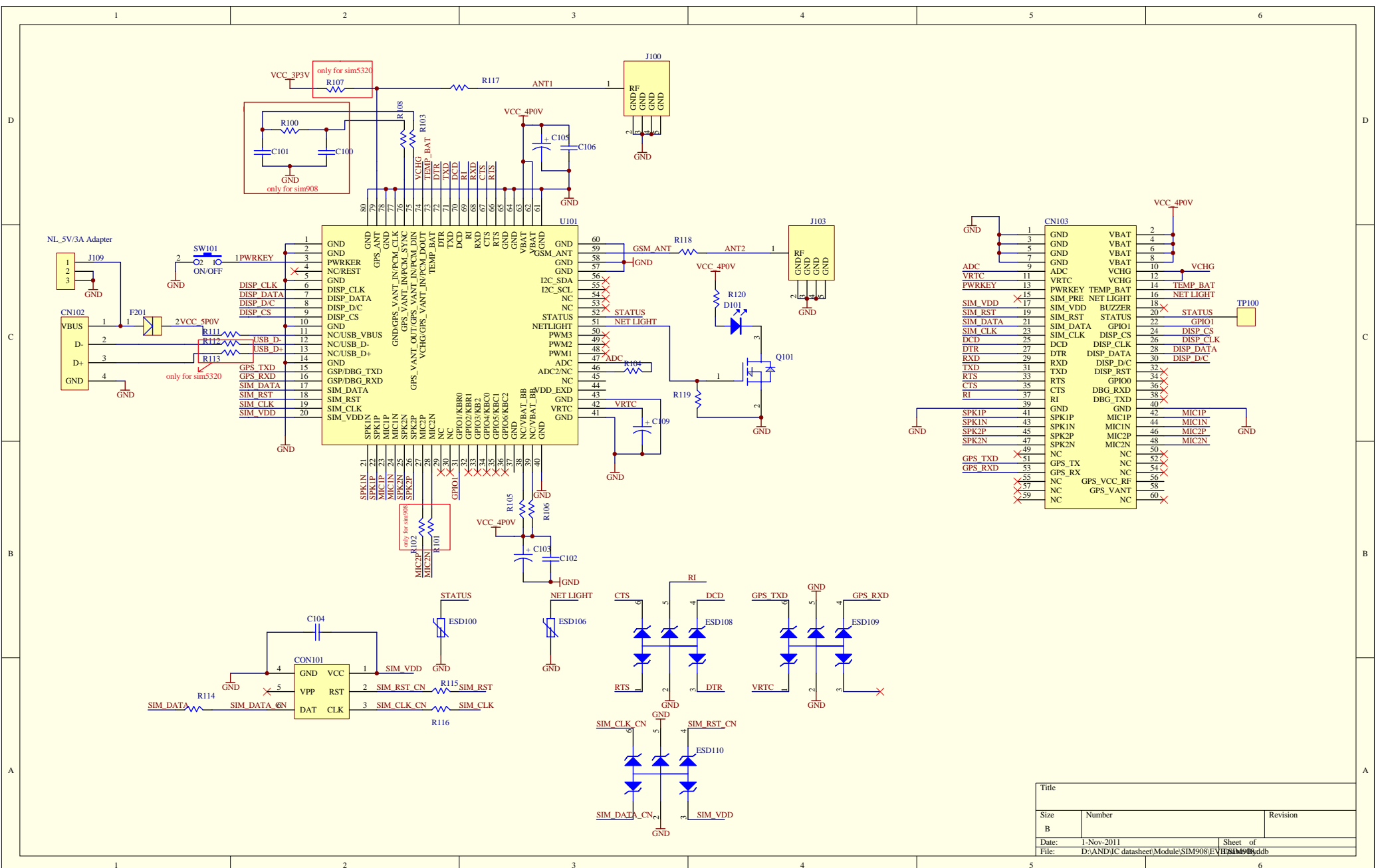


| | | |
|-------|---|----------|
| Title | | |
| Size | Number | Revision |
| B | | |
| Date: | 1-Nov-2011 | Sheet of |
| File: | D:\AND\IC datasheet\Module\SIM908\EV14098.ddb | |

1 2 3 4 5 6



| | | | | | |
|--------------------|-------------------------|---------------|---|----------|---------------|
| Title Audio | | | Small System Laboratories | | |
| Size: B | Project: (Project Name) | Revision: EV1 | Property of Small System Laboratories | | |
| Date: 1-Nov-2011 | Part No. (Part Number) | Sheet 1 of 2 | All Rights reserved. Reproduction in whole or in part is PROHIBITED without the written consent of the copyright owner. | | |
| Designed | (Designed by) | Reviewed | (Reviewed by) | Approved | (Approved by) |



| | | |
|-------|---|----------|
| Title | | |
| Size | Number | Revision |
| B | | |
| Date: | 1-Nov-2011 | Sheet of |
| File: | D:\AND\IC datasheet\Module\SIM908\EVBSIM908.dcb | |